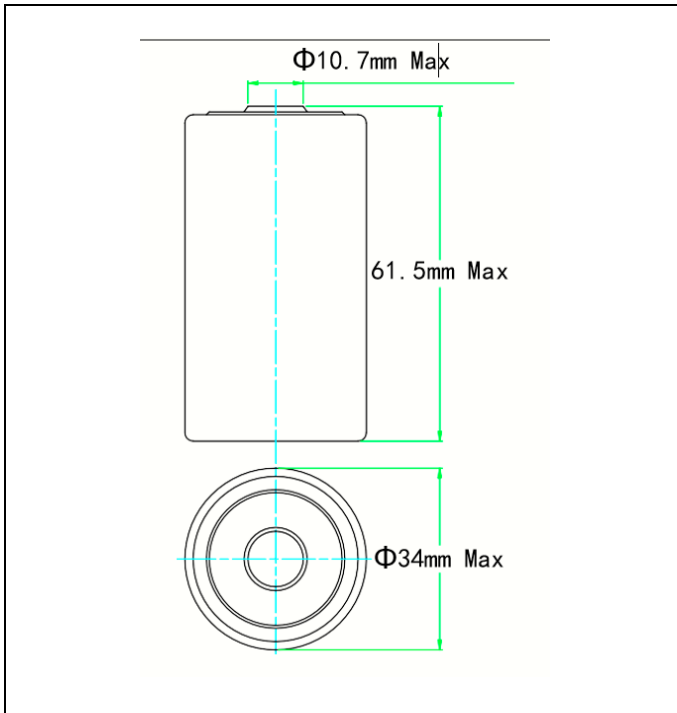


GS Yuasa Battery Sales UK Ltd

MODEL No: ER34615

Description: 19Ah LITHIUM THIONYL CHLORIDE BATTERY (LiSOCl₂)

Dimensions (in mm)

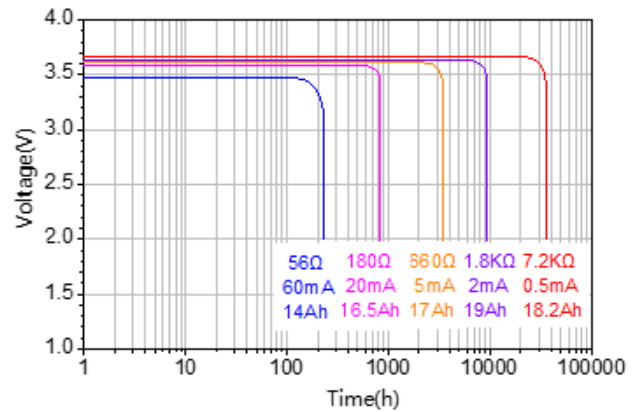


Specifications

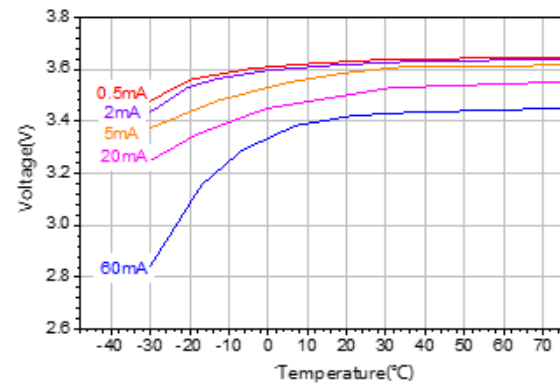
Diameter	34 ±0.2
Height	61.5 ±0.5
Approximate Weight	107g

Nominal Voltage	3.6V	
Max. Continuous Current	230mA	
Max. Pulse Current	400mA	
Ambient Temperature	Storage	Max. 30°C
	Operating	-60°C ~+85°C

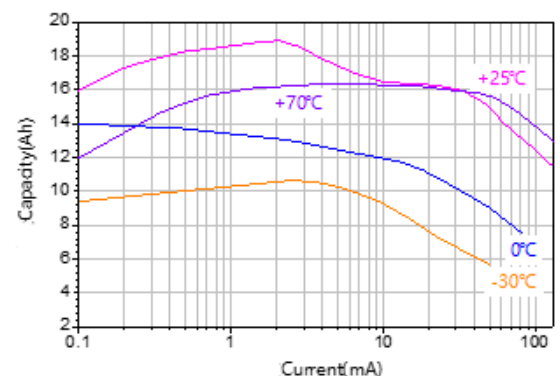
DISCHARGE CHARACTERISTICS (+25°C)



TEMPERATURE CHARACTERISTICS



CAPACITY V.S. LOAD



Warning:

Do not short-circuit; do not recharge, force over-discharge, assemble / disassemble and crush; risk of fire and burns; do not use under temperature above specified range