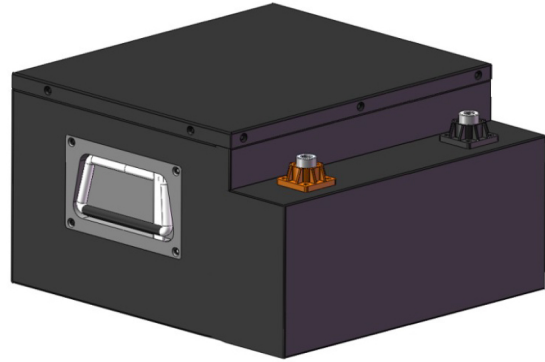


Features

- ◆ Using the technology of lithium iron phosphate cell, superior safety, thousands of cycles, under normal conditions.
- ◆ Built-in automatic protection for over-charge, over discharge, over current and over temperature.
- ◆ Free of maintenance .
- ◆ Internal cell balancing.
- ◆ Lighter weight: About 40% ~50% of the weight of a comparable lead acid battery.
- ◆ Can be charged using most standard lead-acid charges (set).
- ◆ Wider temperature range:-20°C~60°C.
- ◆ Support for Series application expansion (up to 51.2V) and two in parallel.



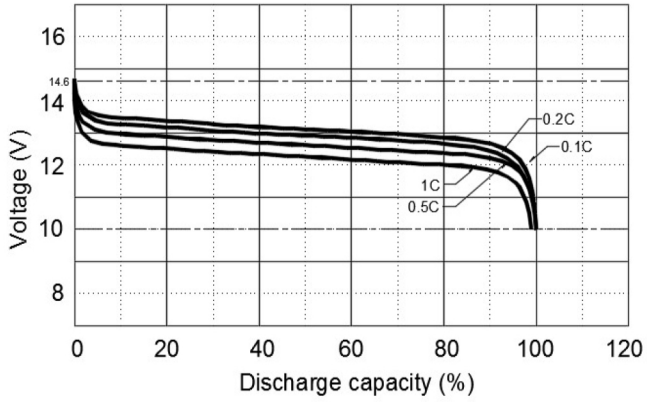
Application

- ◆ UPS
- ◆ Solar & Wind Power System
- ◆ Golf Cart
- ◆ Electric Vehicle , E-bike, E-rickshaw etc.
- ◆ Lighting

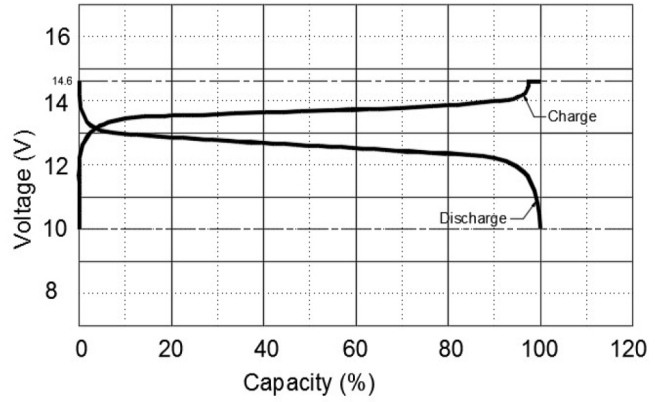
General Specifications

Electrical Characteristics	Nominal Voltage	12.8V
	Nominal Capacity	230Ah@0.2C
	Energy	2944Wh
	Internal Resistance	20≤mΩ
	Cycle Life	90%DOD>4000 times, @0.2C, 25°C
	Self Discharge	≤3.5% per month at 25 °C
Charging and Discharging	Output voltage range	10.0V~14.6V
	Charging voltage	14.6V, CC-CV
	Cut-off voltage	10.0V
	Max. Constant Charging current	100A
	Recommended charging current	<50A, best @ 40A
	Recommended charging	CC-CV until current <0.02C
	Max.Constant Discharging current	250A
Built-in BMS	Efficiency	≥99.4%
	Over-charge protection	Cell>3.75V
	Over-discharge protection	Cell<2.20V
	Over-current protection	>1000A
	Short circuit protection	Integrated
Operating Condition	Cell balance	Passive, 40mA
	Humidity	5%~95% relative humidity
	Charging temperature	0 °C~+45 °C
	Discharging temperature	-20 °C~+65 °C
Structure	Storage temperature	-20 °C~45 °C
	Cell & Format	Prismatic, LFP
	Casing	Aluminum shell, Metal
	Dimension(L*W*H*TH)	305*290*180mm
	Weight	Approx. 22.0±0.5kg
	Terminal	M8

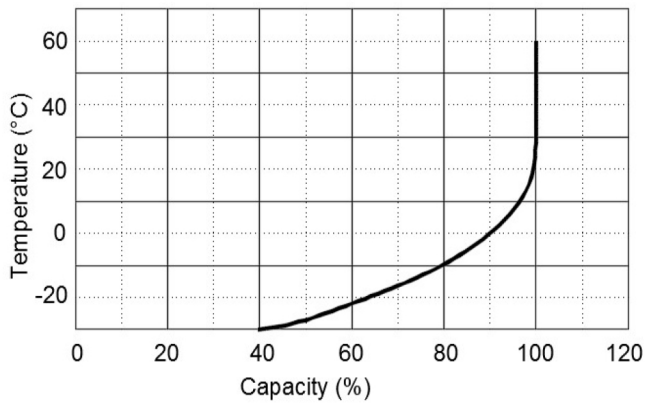
Discharge performance with different rate @ 25°C



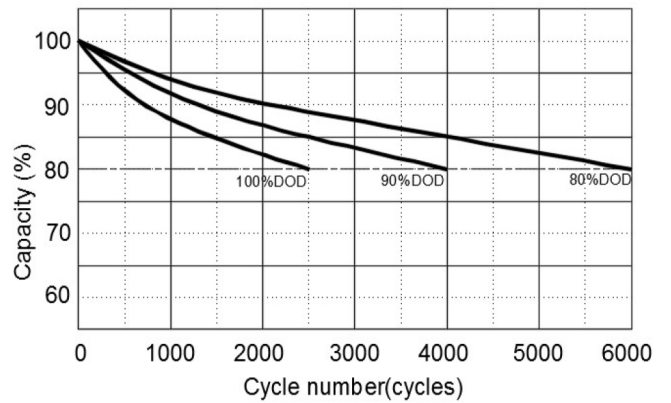
Charge & Discharge curve with 0.5C @ 25°C



Discharge capacity with different temperature @ 0.5C



Cycle life with DOD @ 0.2C, 25°C



Self-discharge @ different temperature

